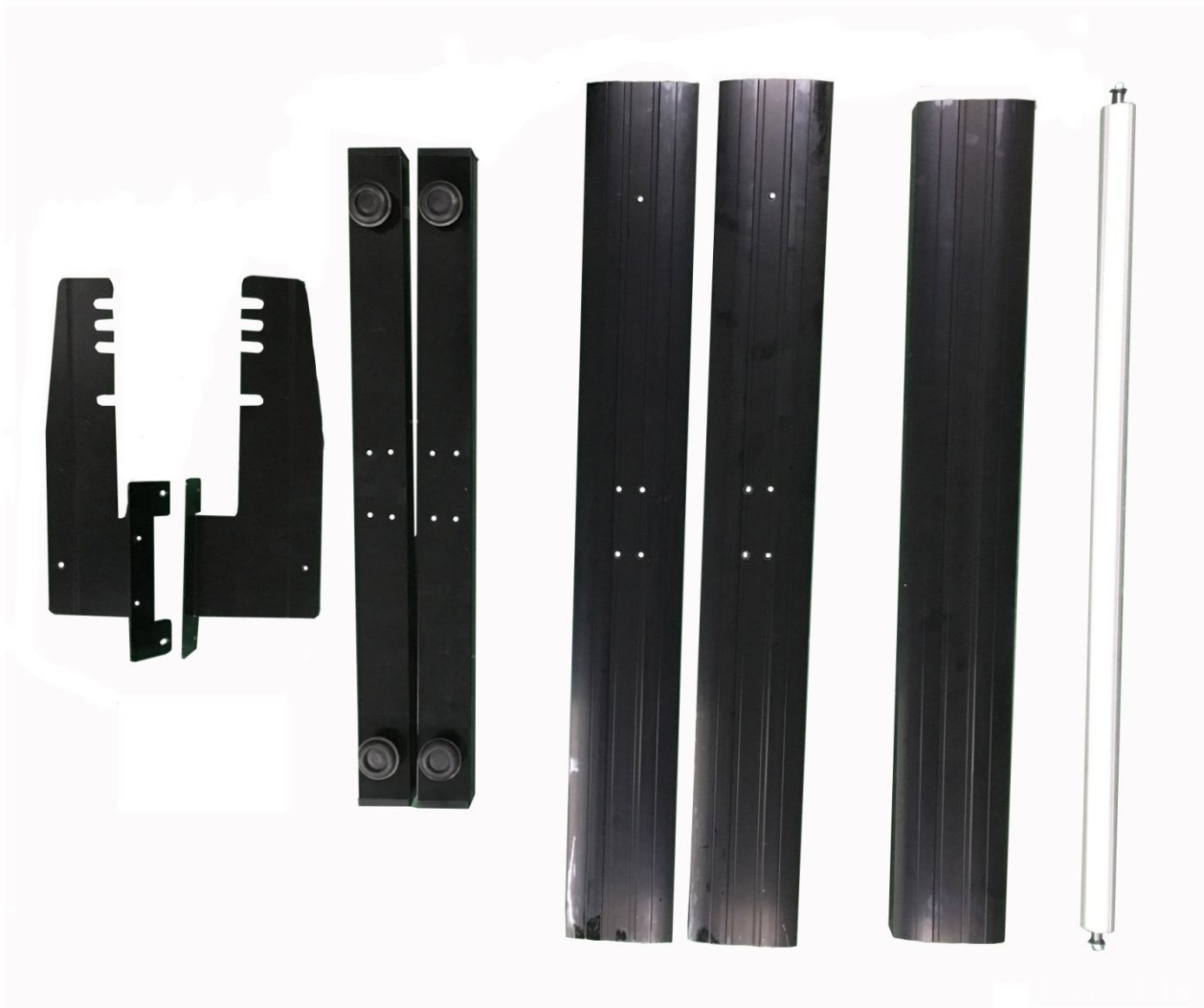


Instructions for floor stand assemble

1: Introduction for parts



A

B

C

D

E

Screws



S1

S2

S3

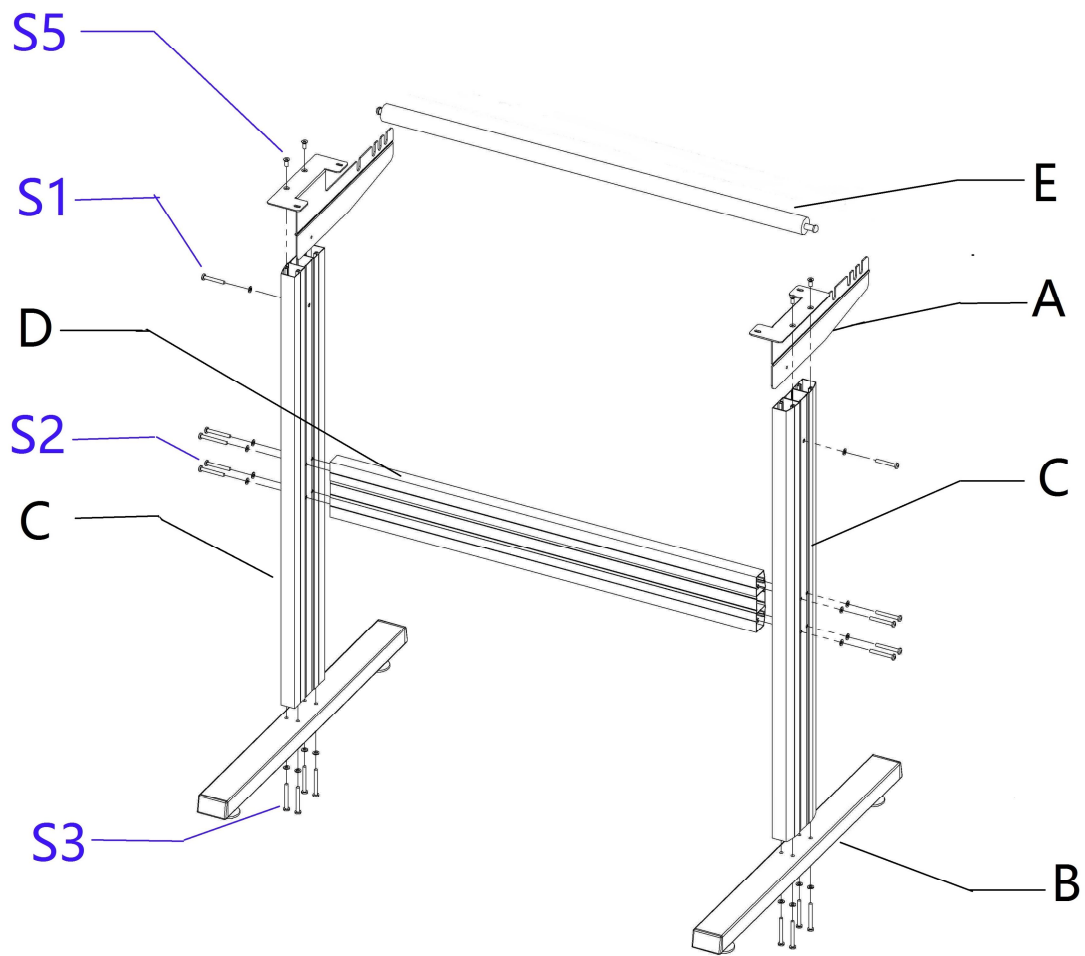


S4

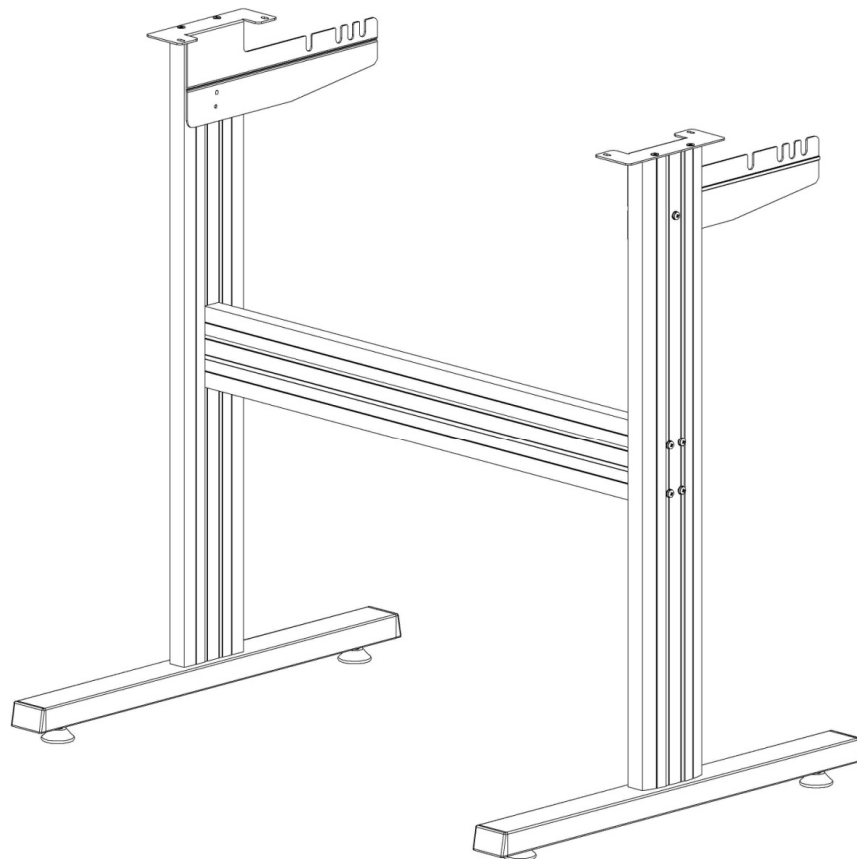


S5

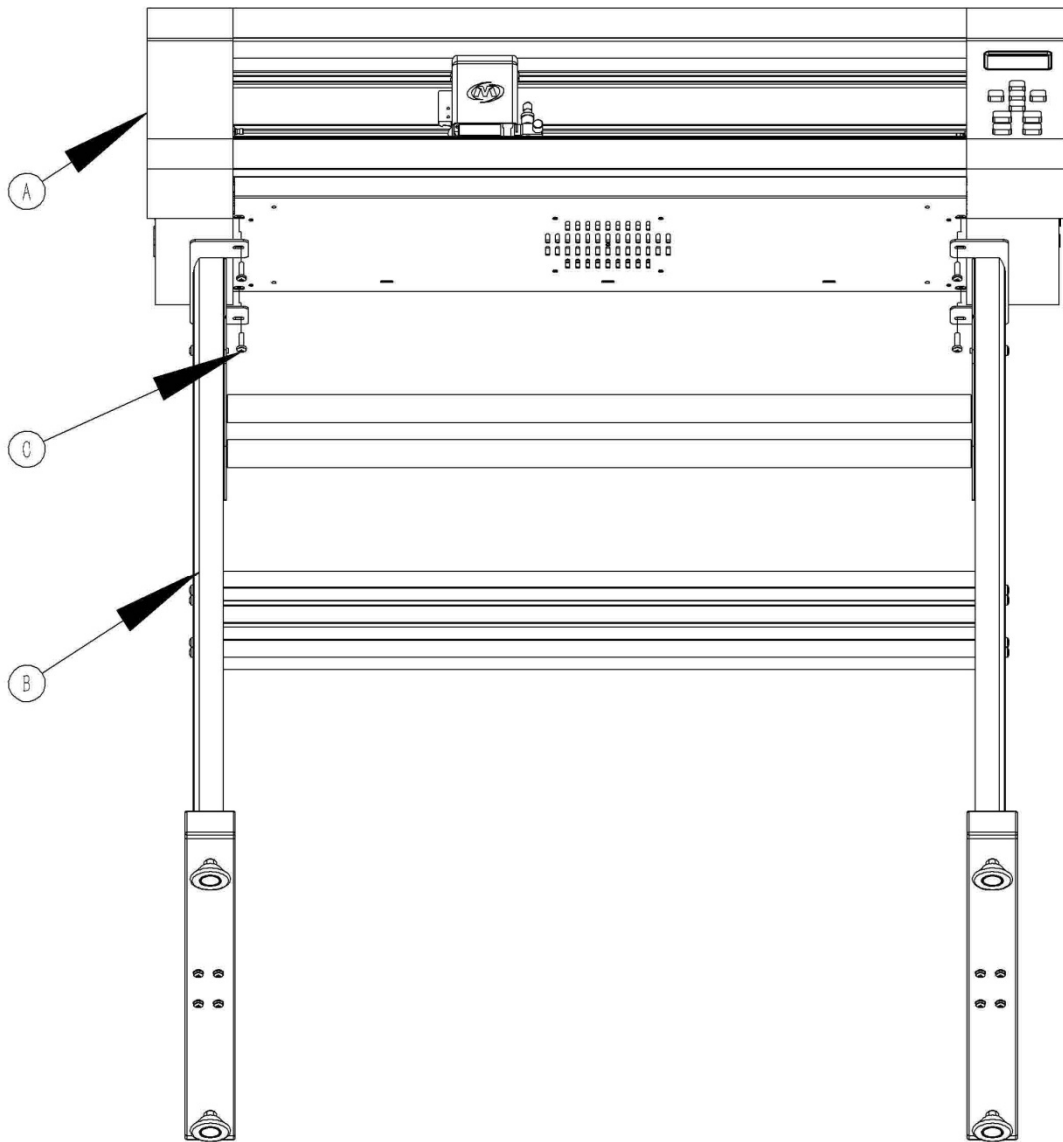
2: Assembly procedures:



3: Assembled floor stand



4: Fix the floor stand to the cutter:



5: Basket assembly (If have)

